

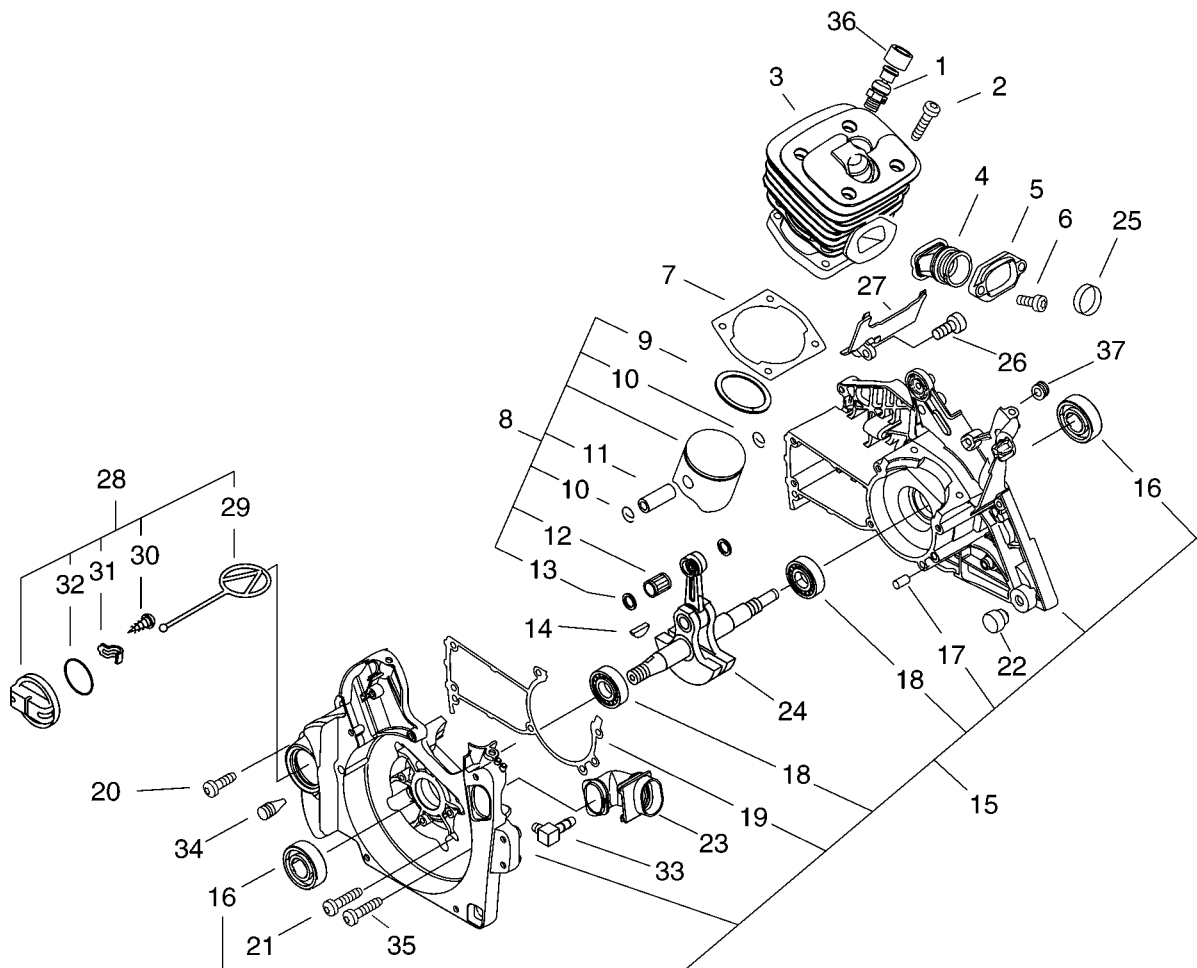


PARTS CATALOGUE

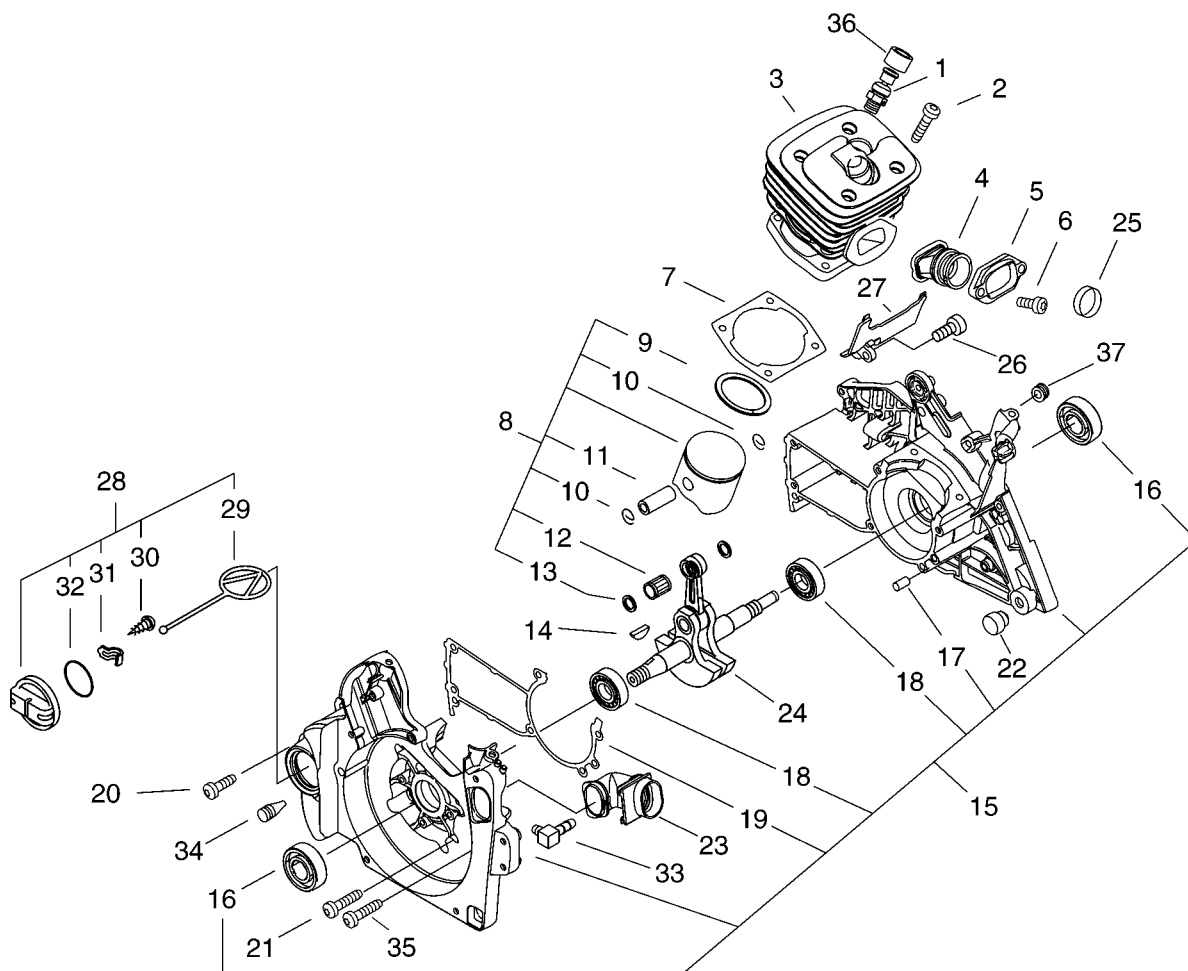
CHAIN SAW

CS-600

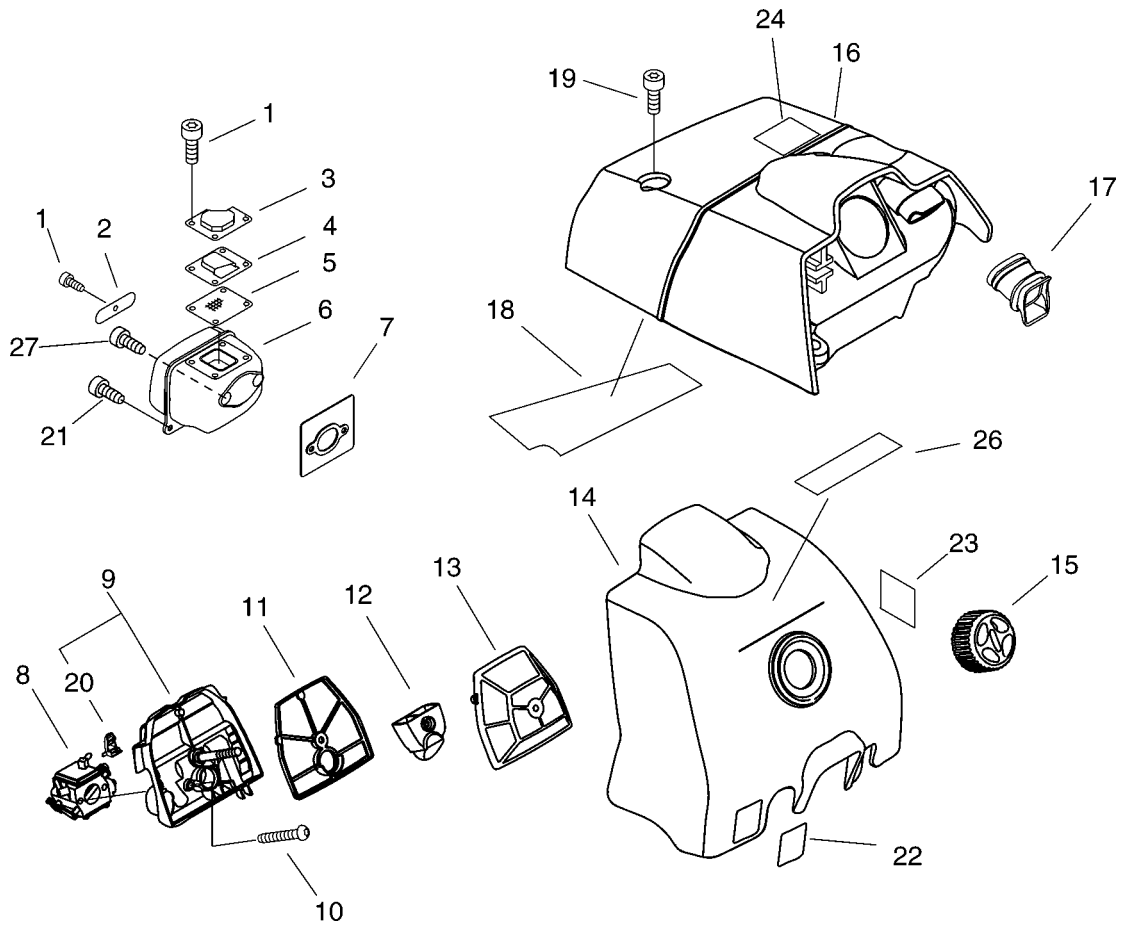
CE



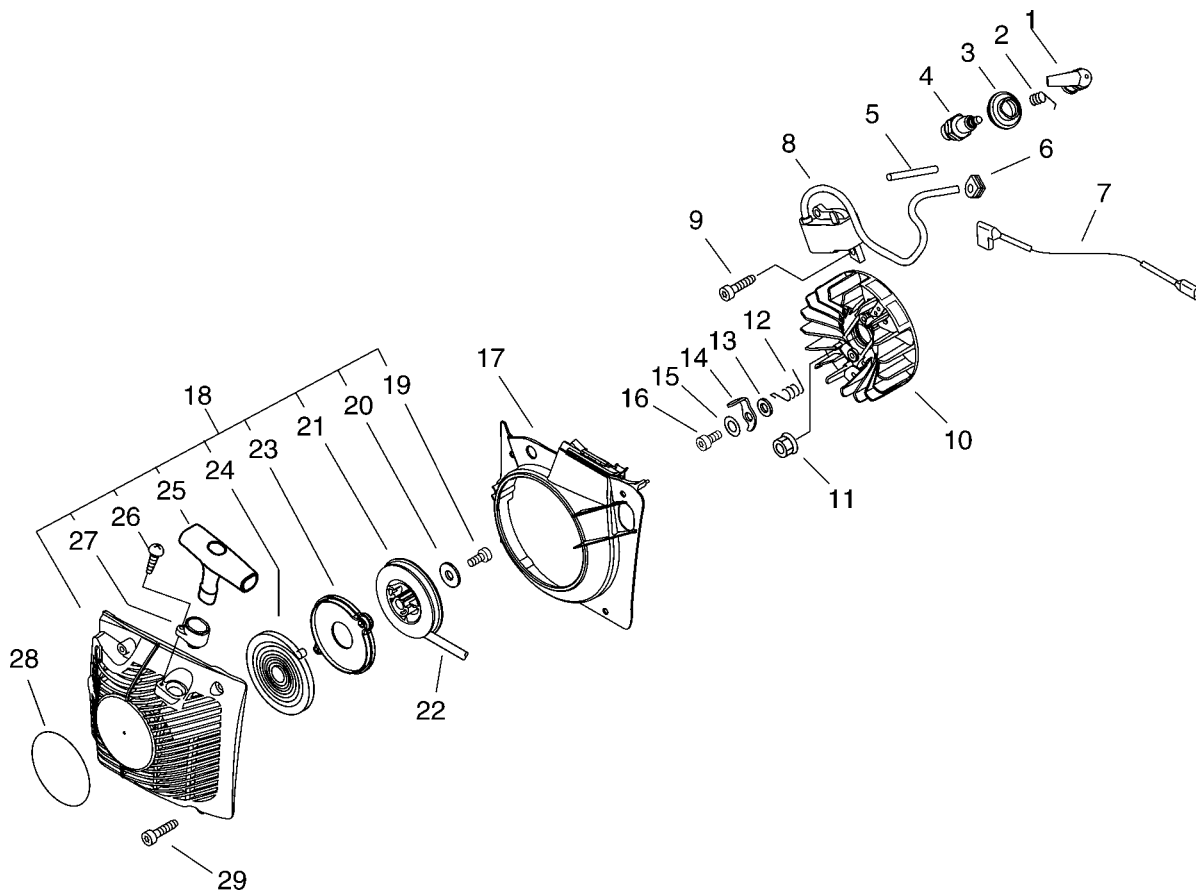
KEY	LV	PART NUMBER	Q'TY	DESCRIPTION	REMARKS
1		A014-000040	1	RELEASE ASY., COMP.	
2		V805-000220	4	BOLT, TORX 5	
3		A130-000910	1	CYLINDER	
4		A202-000080	1	BELLOWS, INTAKE	
5		A206-000010	1	HOLDER, BELLOWS	
6		V805-000000	2	BOLT, TORX 5	
7		V100-000270	1	GASKET,CYL	
8		P021-015190	1	PISTON KIT	
9	+	A101-000210	1	RING, PISTON	
10	+	V580-000030	2	RING,END	
11	+	V609-000010	1	PIN,ENG 11	
12	+	V556-000000	1	BEARING,NEEDLE 11	
13	+	V308-000040	2	WASHER,CIRCULAR 11	
14		100142-30830	1	KEY, WOODRUFF	
15		P021-015130	1	CRANK CASE SET	
16	+	V508-000010	2	SEAL,OIL 15	
17	+	100215-02830	2	PIN, DOWEL	
18	+	V592-000000	2	BEARING, BALL	
19	+	V102-000060	1	GASKET,CRANKCASE	
20		V805-000010	2	BOLT, TORX 5	
21		V805-000020	4	BOLT, TORX 5	
22		V420-001790	2	CUSHION	
23		A239-000060	1	PIPE, INTAKE	
24		A011-000540	1	CRANKSHAFT,ASY	



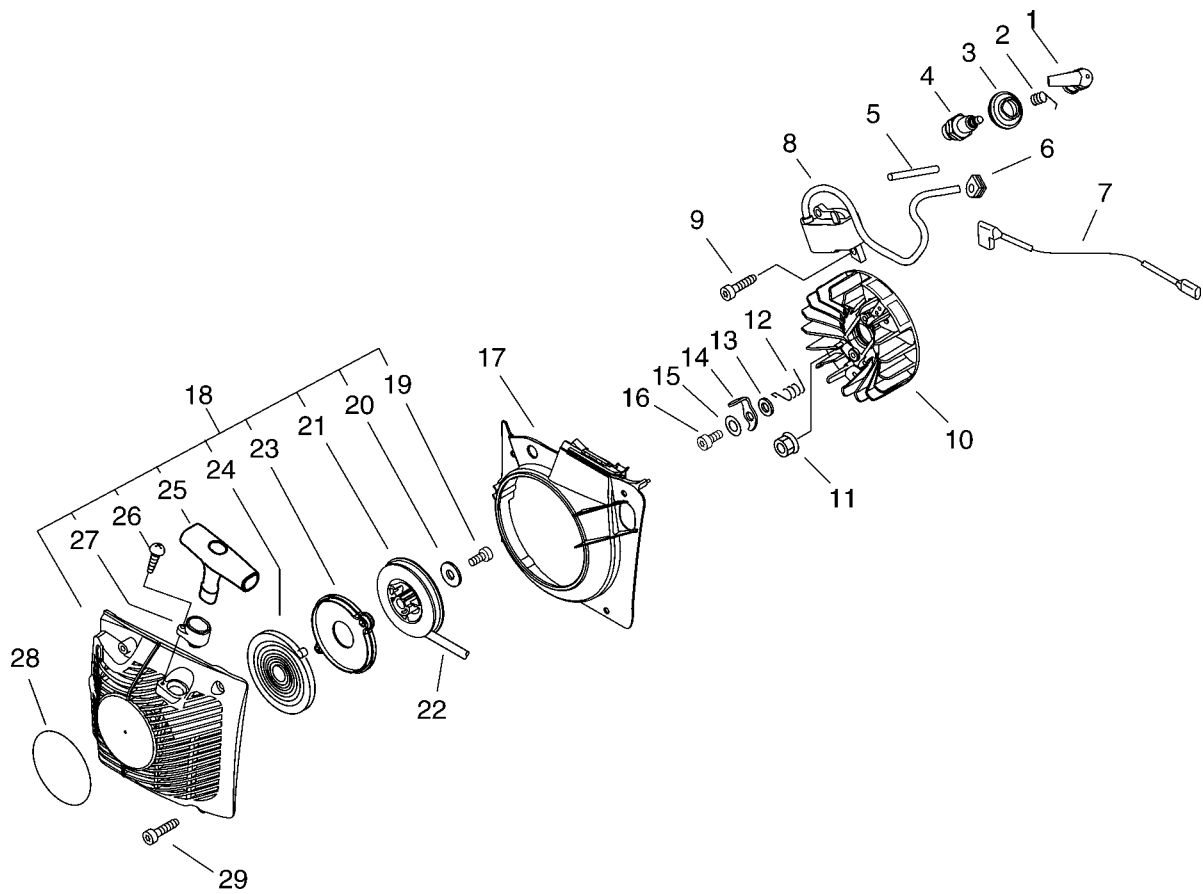
KEY	LV	PART NUMBER	Q'TY	DESCRIPTION	REMARKS
25		V360-000060	1	COLLAR,18	
26		V805-000000	1	BOLT, TORX 5	
27		E106-000020	1	GUIDE, AIR	
28		P021-016030	1	CAP, OIL	
29	+	131051-19830	1	LINK	
30	+	900246-03008	1	SCREW 3*8	
31	+	131050-19830	1	RETAINER, LINK	
32	+	900720-00028	1	O-RING 28	
33		437239-14730	1	NIPPLE	
34		436114-13930	1	VALVE, CHECK	
35		V805-000170	1	BOLT, TORX 5	
36		V141-000090	1	GROMMET, PLUG	
37		132115-01461	1	GROMMET	



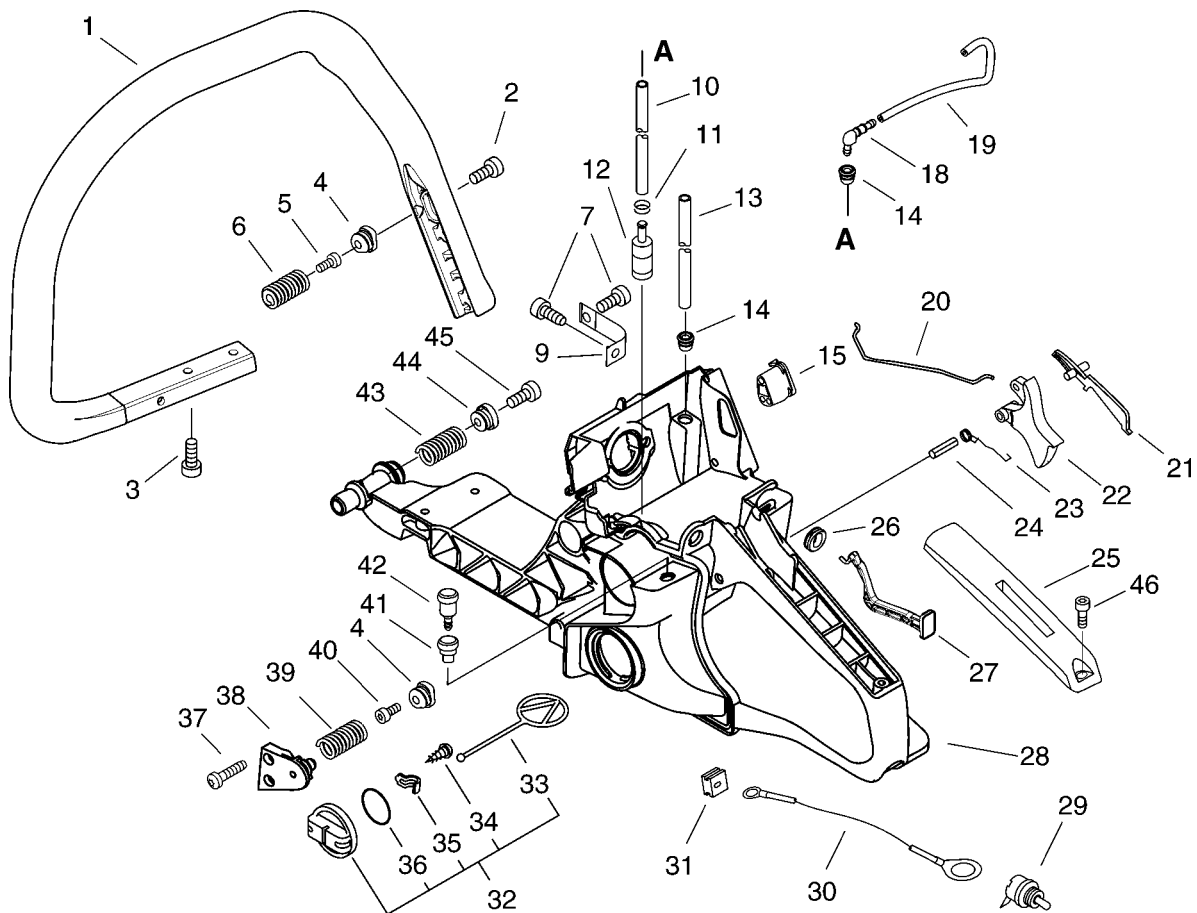
KEY	LV	PART NUMBER	Q'TY	DESCRIPTION	REMARKS
1		V804-000030	5	BOLT, TORX 4	
2		A301-000030	1	PLATE, MUFFLER	
3		A313-001050	1	GUIDE, EXHAUST	
4		A313-001040	1	GUIDE, EXHAUST	
5		A310-000100	1	SCREEN, ARRESTOR	
6		A300-000770	1	MUFFLER, EXHAUST	
7		V104-000910	1	GASKET, EXHAUST	
8		A021-001660	1	CARBURETOR, DIAPHRAGM	
9		P021-016020	1	CASE, CLEANER	
20	+	A219-000000	1	SHUTTER, AIR	
10		V805-000030	2	BOLT, TORX 5	
11		A226-000450	1	ELEMENT, AIR FILTER	
12		A244-000080	1	PLATE, PREVENT	
13		A226-000440	1	ELEMENT, AIR FILTER	
14		A232-000470	1	LID, CLEANER	
15		A235-000190	1	KNOB, CLEANER LID	
16		A160-001080	1	COVER, CYLINDER	
17		A239-000070	1	PIPE, INTAKE	
18		V341-000140	1	WASHER, SQUARE	
19		V805-000000	3	BOLT, TORX 5	
21		V805-000210	2	BOLT, TORX 5	
22		890157-39130	1	LABEL, SWITCH	
23		890631-38130	1	LABEL, CAUTION	
24		890345-39230	1	LABEL, CAUTION	
26		X503-009510	1	LABEL, MODEL	
27		V855-000000	2	BOLT, TORX 5	



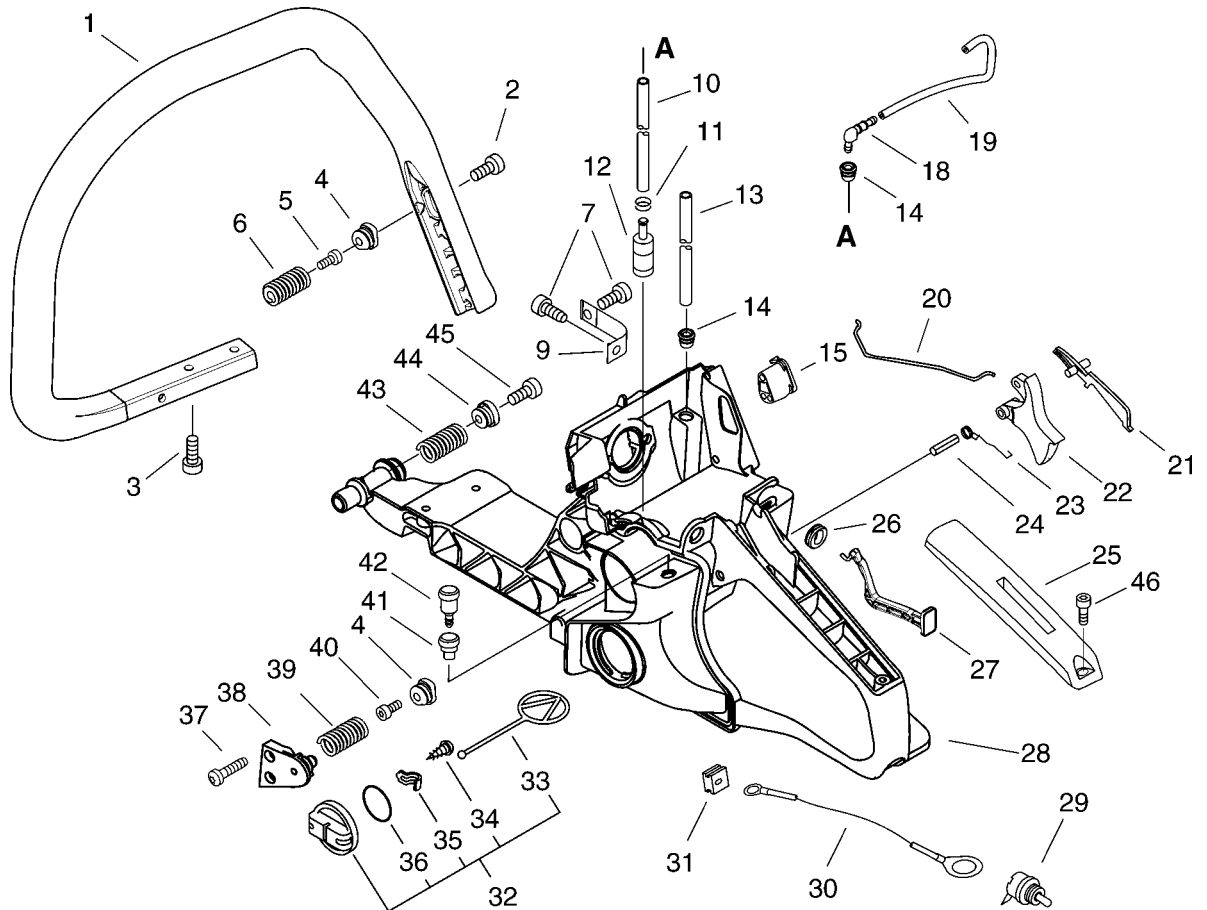
KEY	LV	PART NUMBER	Q'TY	DESCRIPTION	REMARKS
1		A427-000013	1	CAP,SPARK PLUG	
2		A426-000010	1	TERMINAL,SPARKPLUG	
3		A429-000040	1	COVER,CAP	
4		A425-000000	1	SPARKPLUG	
5		V475-004260	1	TUBE	
6		V135-000040	1	GROMMET,HT CORD	
7		V485-001090	1	LEAD	
8		A411-000450	1	COIL, IGNITION	
9		V805-000000	2	BOLT, TORX 5	
10		A409-000360	1	ROTOR, MAGNETO	
11		900515-00008	1	NUT, FLANGE 8	
12		177234-35430	2	SPRING, RETURN	
13		177247-04630	2	SPACER, RATCHET	
14		177218-19830	2	PAWL, STARTER	
15		900603-00005	2	WASHER 5	
16		V835-000000	2	BOLT, TORX 5	
17		A172-000840	1	COVER,FAN	
18		P021-015160	1	STARTER ASY	
19	+	V805-000130	1	BOLT, TORX 5	
20	+	177214-02830	1	WASHER	
21	+	A506-000110	1	REEL, ROPE	
22	+	177226-07060	1	ROPE, STARTER	
23	+	A503-000030	1	PLATE, STARTER	
24	+	177220-35430	1	SPRING, REWIND	



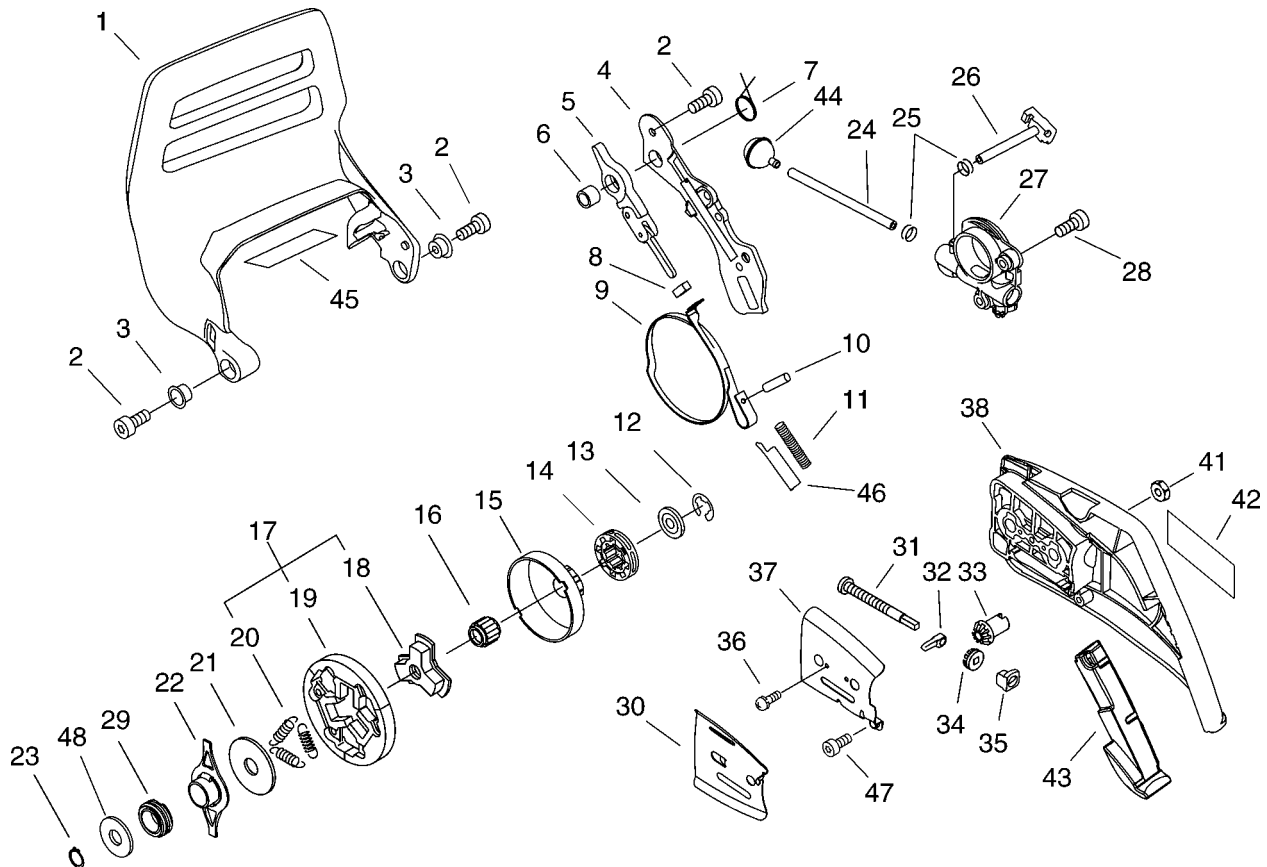
KEY	LV	PART NUMBER	Q'TY	DESCRIPTION	REMARKS
25	+	A511-000070	1	GRIP, STARTER	
26	+	900296-03016	1	SCREW 3*16	
27	+	A510-000090	1	GUIDE, ROPE	
28		X502-000460	1	LABEL,ECHO	
29		V805-000000	4	BOLT, TORX 5	



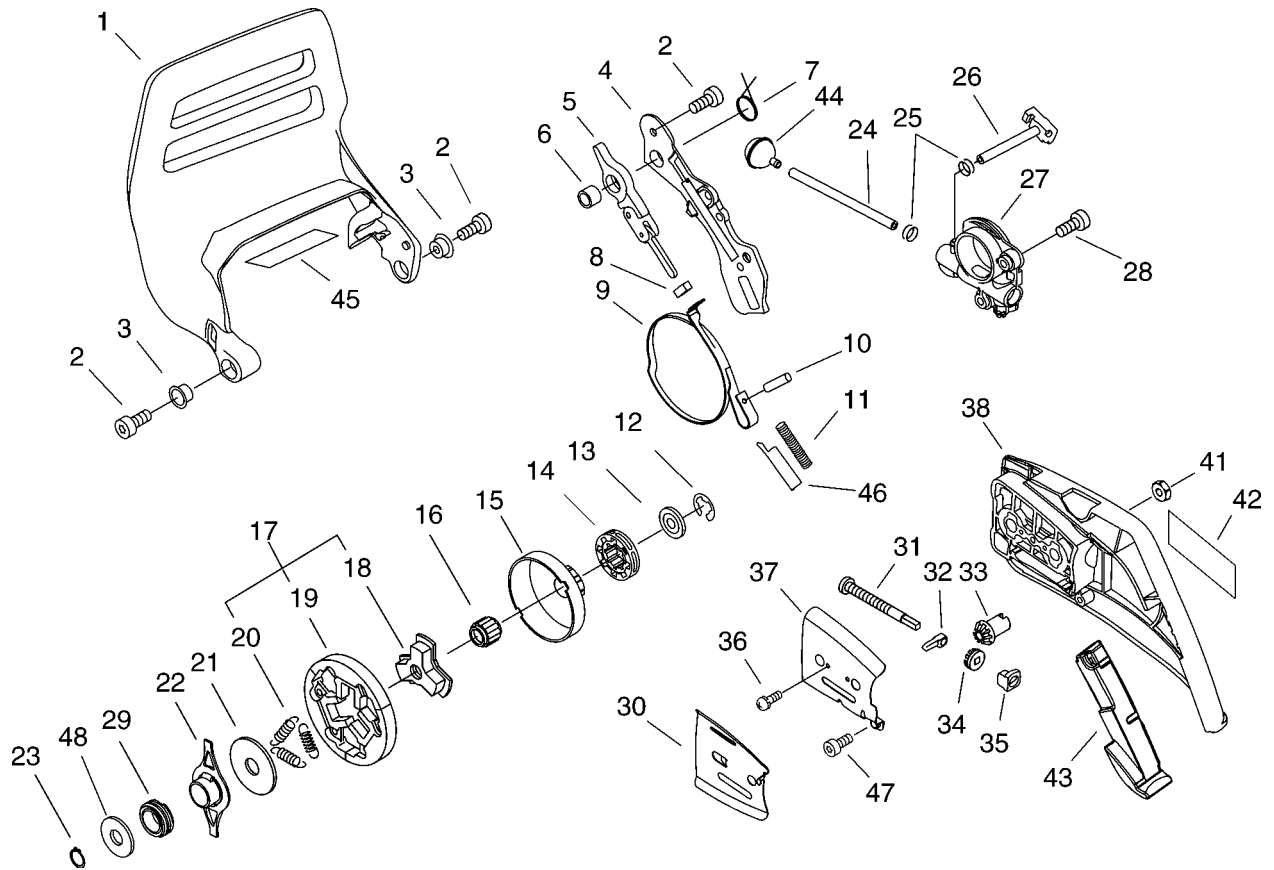
KEY	LV	PART NUMBER	Q'TY	DESCRIPTION	REMARKS
1		C400-000550	1	HANDLE, FRONT	
2		V806-000000	1	BOLT, TORX 6	
3		V805-000010	4	BOLT, TORX 5	
4		V456-000080	2	HOLDER, SPRING	
5		V805-000000	1	BOLT, TORX 5	
6		V450-000730	1	SPRING, COMPRESSION	
7		V805-000000	2	BOLT, TORX 5	
9		C617-000360	1	STOPPER	
10		V471-000600	1	PIPE	
11		132013-09820	1	CLIP	
12		131205-19831	1	STRAINER, FUEL	
13		130110-30830	1	PIPE, IMPULSE	
14		132115-01461	2	GROMMET	
15		V131-000020	1	GROMMET, NEEDLE	
18		V186-000080	1	JOINT, PIPE	
19		130110-14530	1	PIPE, IMPULSE	
20		C454-000170	1	ROD, THROTTLE	
21		178090-37930	1	LOCKOUT, T. CONTROL	
22		C450-000360	1	CONTROL, THROTTLE	
23		V452-000260	1	SPRING, TORSION	
24		900345-40025	1	PIN, SPRING 4*25SUS	
25		C411-000001	1	LID, HANDLE	
26		V130-000030	1	GROMMET, CHOKE	
27		A241-000170	1	KNOB, CHOKE	



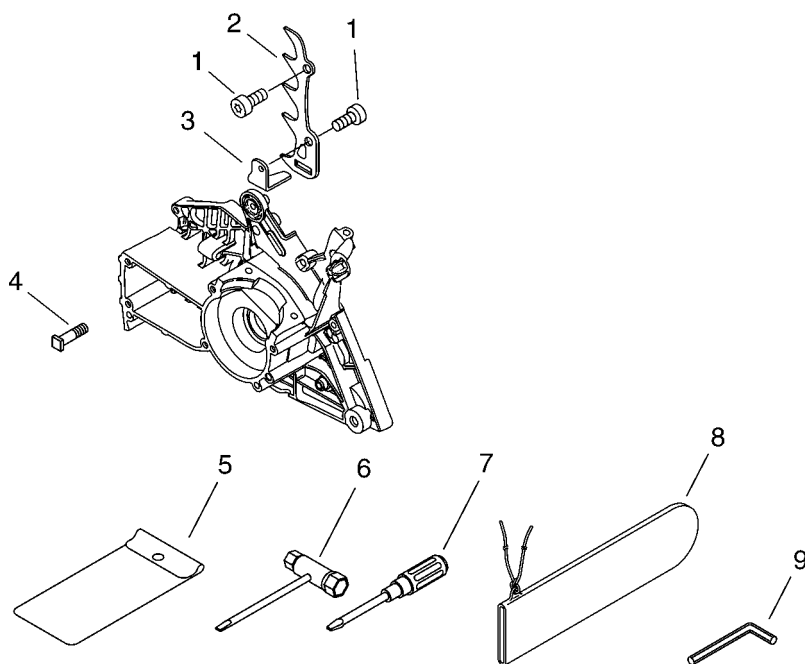
KEY	LV	PART NUMBER	Q'TY	DESCRIPTION	REMARKS
28		C410-000460	1	HANDLE, REAR	
29		A440-001190	1	SWITCH, ON OFF	
30		V485-001100	1	LEAD	
31		150114-04920	1	BUSHING	
32		P021-016040	1	CAP, FUER ASSY	
33	+	131051-19830	1	LINK	
34	+	900246-03008	1	SCREW 3*8	
35	+	131050-19830	1	RETAINER, LINK	
36	+	900720-20029	1	O-RING 29	
37		V805-000010	2	BOLT, TORX 5	
38		V456-000090	1	HOLDER, SPRING	
39		V450-000760	1	SPRING, COMPRESSION	
40		V805-000230	1	BOLT, TORX 5	
41		A359-000000	1	COVER, VENT	
42		131300-56430	1	VALVE, CHECK	
43		V450-000770	1	SPRING, COMPRESSION	
44		V456-000100	1	HOLDER, SPRING	
45		V806-000000	1	BOLT, TORX 6	
46		V804-000000	1	BOLT, TORX 4	



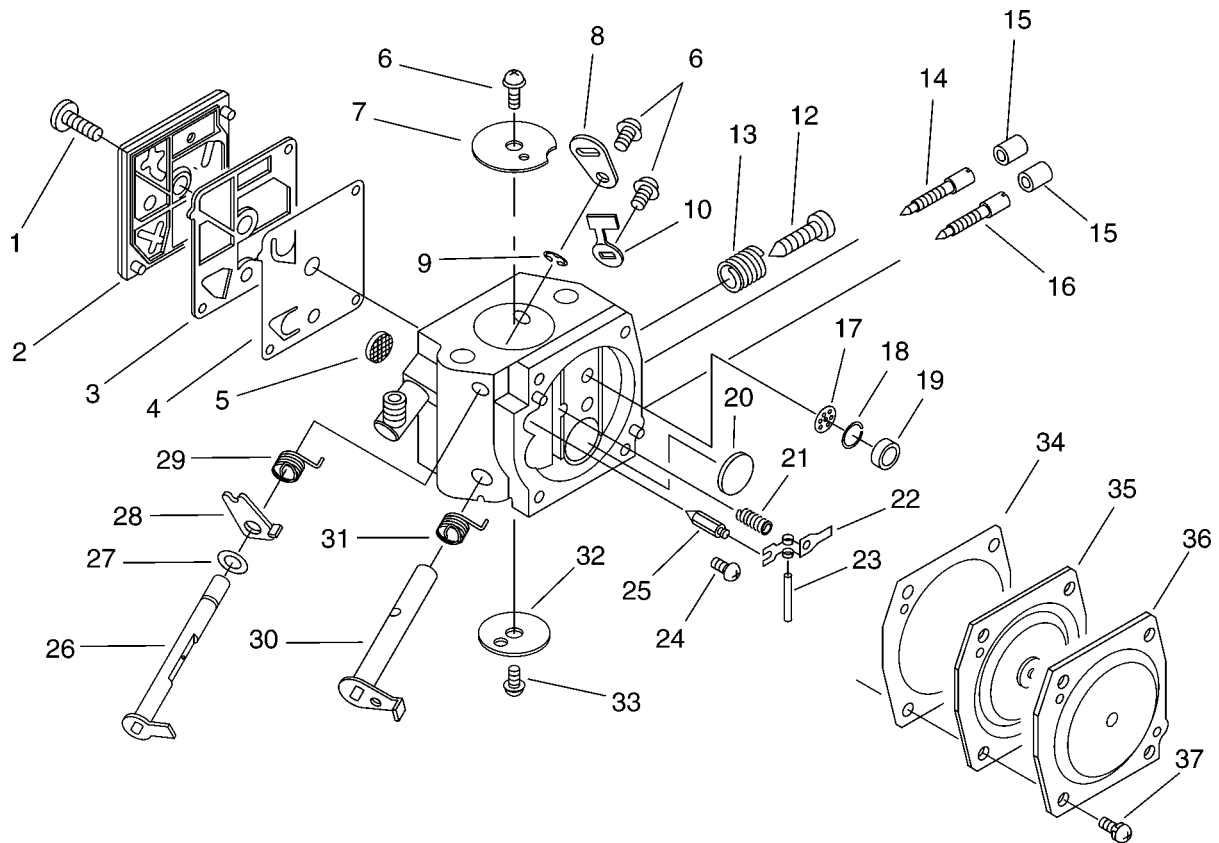
KEY	LV	PART NUMBER	Q'TY	DESCRIPTION	REMARKS
1		C320-000180	1	LEVER, BRAKE	
2		V805-000000	5	BOLT, TORX 5	
3		V356-000440	2	COLLAR,10	
4		C345-000280	1	COVER, BRAKE	
5		C334-000110	1	CONNECTOR, BRAKE	
6		433116-35430	1	SPACER 8	
7		V452-000400	1	SPRING, TORSION	
8		V376-000450	1	SPACER	
9		C328-000120	1	BAND, BRAKE	
10		93050-30080	1	ROLLER	
11		V450-000740	1	SPRING, COMPRESSION	
12		V583-000130	1	RING	
13		V307-000180	1	WASHER, CIRCULAR 10	
14		175033-14731	1	SPROCKET, RIM 68210S	
15		A556-000550	1	DRUM, CLUTCH	
16		100113-04630	1	BEARING, NEEDLE	
17		A056-000220	1	CLUTCH ASY	
18	+	A552-000110	1	HUB, CLUTCH	
19	+	A555-000070	3	SHOE, CLUTCH	
20	+	V451-000500	3	SPRING, TENSION	
21		A551-000110	1	PLATE, CLUTCH	
22		V358-000090	1	COLLAR, 14	
23		900701-00015	1	CIRCLIP 15	
24		437210-30830	1	PIPE, OIL	



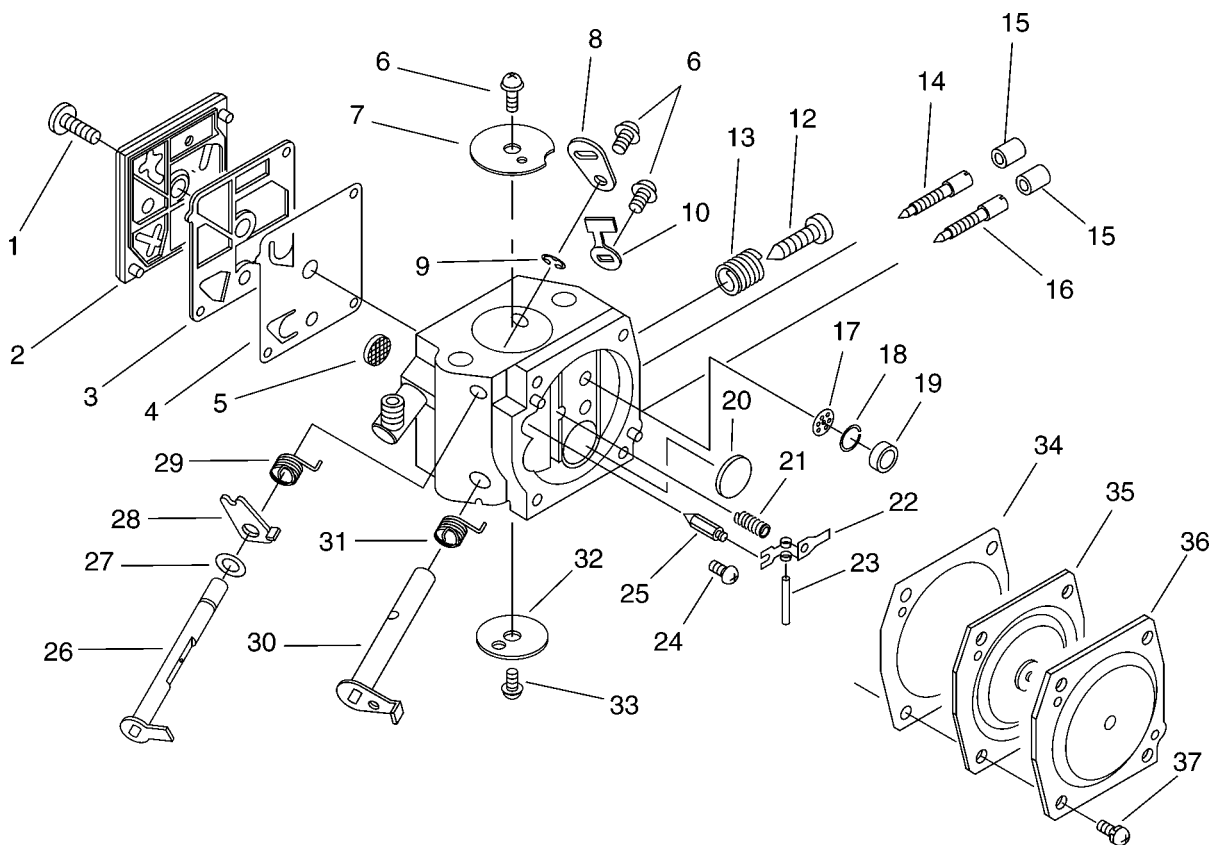
KEY	LV	PART NUMBER	Q'TY	DESCRIPTION	REMARKS
25		132013-09820	2	CLIP	
26		V470-000830	1	PIPE	
27		C022-000050	1	AUTO-OILER ASSEMBLY	
28		V804-000000	2	BOLT, TORX 4	
29		V652-000050	1	GEAR,WORM	
30		C305-000110	1	PLATE, SPROCKET GUARD	
31		V203-000110	1	BOLT,5"	
32		C309-000070	1	TENSIONER, CHAIN	
33		V651-000001	1	GEAR,BEVEL	
34		V651-000011	1	GEAR,BEVEL	
35		V355-000270	1	COLLAR,8	
36		900241-03006	1	SCREW 3*6	
37		C305-000100	1	PLATE, SPROCKET GUARD	
38		C300-000410	1	GUARD, SPROCKET	
41		V265-000110	2	NUT,8	
42		X502-000340	1	LABEL,ECHO	
43		C302-000010	1	PAD, GUARD	
44		436205-14730	1	STRAINER, OIL	
45		V341-000130	1	WASHER,SQUARE	
46		C603-000220	1	PLATE, SIDE	
47		V804-000000	1	BOLT, TORX 4	
48		V311-000090	1	WASHER,CIRCULAR 16-1	



KEY	LV	PART NUMBER	Q'TY	DESCRIPTION	REMARKS
1		V805-000000	2	BOLT, TORX 5	
2		C304-000040	1	SPIKED	
3		C310-000010	1	CATCHER, CHAIN	
4		V205-000400	2	BOLT, 8	
5		898510-07130	1	BAG, TOOL	
6		X602-000080	1	TOOL, WRENCH	
7		895812-03930	1	DRIVER, SCREW 50	
8		898548-14531	1	SCABBARD, CHAIN	
9		X605-000050	1	TOOL, L WRENCH	



KEY	LV	PART NUMBER	Q'TY	DESCRIPTION	REMARKS
		A021-001660	1	CARBURETOR,DIAPHRAGM	
1	+	123110-16130	1	SCREW, PUMP COVER	
2	+	123124-19830	1	COVER, FUEL.PUMP	
3	+	123125-12330	1	GASKET, FUEL PUMP	
4	+	123112-12330	1	DIAPHRAGM, FUEL PUMP	
5	+	123126-10631	1	SCREEN, INLET.	
6	+	123114-38830	3	SCREW	
7	+	123116-16130	1	VALVE, THROTTLE	
8	+	P003-002300	1	LEVER, CHOKE.	
9	+	123127-15030	1	RING	
10	+	123156-30830	1	STOP, THROTTLE	
12	+	123134-04260	1	SCREW, IDLE ADJUST.	
13	+	123133-04260	1	SPRING, IDLE ADJUST	
14	+	123120-32631	1	NEEDLE, HIGH SPEED	
15	+	P003-000010	2	LIMITER.CAP	
16	+	123118-02261	1	NEEDLE	
20	+	123146-10631	1	PLUG, WELCH	
21	+	123122-32630	1	SPRING, .METER. LEVER	
22	+	123123-18330	1	LEVER, METERING	
23	+	123138-03930	1	PIN, METERING LEVER	
24	+	123139-03930	1	SCREW, M. LEVER PIN.	
25	+	123137-19830	1	VALVE, INLET NEEDLE	
26	+	P003-002290	1	SHAFT, CHOKE	
27	+	123149-26030	1	WASHER	



KEY	LV	PART NUMBER	Q'TY	DESCRIPTION	REMARKS
28	+	P003-000620	1	LEVER-FAST IDLE	
29	+	P003-000610	1	SPRING	
30	+	P003-002280	1	SHAFT, THROTTLE	
31	+	P003-000560	1	SPRING, THRT. RETURN	
32	+	123132-16130	1	VALVE, CHOKE	
33	+	123114-05260	1	SCREW	
34	+	123140-16130	1	GASKET, M. DIAPHRAGM	
35	+	123141-16131	1	DIAPHRAGM, METERING	
36	+	123142-17330	1	COVER, M. DIAPHRAGM	
37	+	123130-02960	4	SCREW	

Index

Parts Number	Key No.	Parts Number	Key No.	Parts Number	Key No.
A011-000540	1 - 24	C320-000180	5 - 1	V450-000760	4 - 39
A014-000040	1 - 1	C328-000120	5 - 9	V450-000770	4 - 43
A021-001660	2 - 8	C334-000110	5 - 5	V451-000500	5 - 20
A021-001660	7 -	C345-000280	5 - 4	V452-000260	4 - 23
A056-000220	5 - 17	C400-000550	4 - 1	V452-000400	5 - 7
A101-000210	1 - 9	C410-000460	4 - 28	V456-000080	4 - 4
A130-000910	1 - 3	C411-000001	4 - 25	V456-000090	4 - 38
A160-001080	2 - 16	C450-000360	4 - 22	V456-000100	4 - 44
A172-000840	3 - 17	C454-000170	4 - 20	V470-000830	5 - 26
A202-000080	1 - 4	C603-000220	5 - 46	V471-000600	4 - 10
A206-000010	1 - 5	C617-000360	4 - 9	V475-004260	3 - 5
A219-000000	2 - 20	E106-000020	1 - 27	V485-001090	3 - 7
A226-000440	2 - 13	P003-000010	7 - 15	V485-001100	4 - 30
A226-000450	2 - 11	P003-000560	7 - 31	V508-000010	1 - 16
A232-000470	2 - 14	P003-000610	7 - 29	V556-000000	1 - 12
A235-000190	2 - 15	P003-000620	7 - 28	V580-000030	1 - 10
A239-000060	1 - 23	P003-002280	7 - 30	V583-000130	5 - 12
A239-000070	2 - 17	P003-002290	7 - 26	V592-000000	1 - 18
A241-000170	4 - 27	P003-002300	7 - 8	V609-000010	1 - 11
A244-000080	2 - 12	P021-015130	1 - 15	V651-000001	5 - 33
A300-000770	2 - 6	P021-015160	3 - 18	V651-000011	5 - 34
A301-000030	2 - 2	P021-015190	1 - 8	V652-000050	5 - 29
A310-000100	2 - 5	P021-016020	2 - 9	V804-000000	4 - 46
A313-001040	2 - 4	P021-016030	1 - 28	V804-000000	5 - 28
A313-001050	2 - 3	P021-016040	4 - 32	V804-000000	5 - 47
A359-000000	4 - 41	V100-000270	1 - 7	V804-000030	2 - 1
A409-000360	3 - 10	V102-000060	1 - 19	V805-000000	1 - 6
A411-000450	3 - 8	V104-000910	2 - 7	V805-000000	1 - 26
A425-000000	3 - 4	V130-000030	4 - 26	V805-000000	2 - 19
A426-000010	3 - 2	V131-000020	4 - 15	V805-000000	3 - 9
A427-000013	3 - 1	V135-000040	3 - 6	V805-000000	3 - 29
A429-000040	3 - 3	V141-000090	1 - 36	V805-000000	4 - 5
A440-001190	4 - 29	V186-000080	4 - 18	V805-000000	4 - 7
A503-000030	3 - 23	V203-000110	5 - 31	V805-000000	5 - 2
A506-000110	3 - 21	V205-000400	6 - 4	V805-000000	6 - 1
A510-000090	3 - 27	V265-000110	5 - 41	V805-000010	1 - 20
A511-000070	3 - 25	V307-000180	5 - 13	V805-000010	4 - 3
A551-000110	5 - 21	V308-000040	1 - 13	V805-000010	4 - 37
A552-000110	5 - 18	V311-000090	5 - 48	V805-000020	1 - 21
A555-000070	5 - 19	V341-000130	5 - 45	V805-000030	2 - 10
A556-000550	5 - 15	V341-000140	2 - 18	V805-000130	3 - 19
C022-000050	5 - 27	V355-000270	5 - 35	V805-000170	1 - 35
C300-000410	5 - 38	V356-000440	5 - 3	V805-000210	2 - 21
C302-000010	5 - 43	V358-000090	5 - 22	V805-000220	1 - 2
C304-000040	6 - 2	V360-000060	1 - 25	V805-000230	4 - 40
C305-000100	5 - 37	V376-000450	5 - 8	V806-000000	4 - 2
C305-000110	5 - 30	V420-001790	1 - 22	V806-000000	4 - 45
C309-000070	5 - 32	V450-000730	4 - 6	V835-000000	3 - 16
C310-000010	6 - 3	V450-000740	5 - 11	V855-000000	2 - 27

Index

Parts Number	Key No.	Parts Number	Key No.	Parts Number	Key No.
X502-000340	5 - 42				
X502-000460	3 - 28				
X503-009510	2 - 26				
X602-000080	6 - 6				
X605-000050	6 - 9				
100113-04630	5 - 16				
100142-30830	1 - 14				
100215-02830	1 - 17				
123110-16130	7 - 1				
123112-12330	7 - 4				
123114-05260	7 - 33				
123114-38830	7 - 6				
123116-16130	7 - 7				
123118-02261	7 - 16				
123120-32631	7 - 14				
123122-32630	7 - 21				
123123-18330	7 - 22				
123124-19830	7 - 2				
123125-12330	7 - 3				
123126-10631	7 - 5				
123127-15030	7 - 9				
123130-02960	7 - 37				
123132-16130	7 - 32				
123133-04260	7 - 13				
123134-04260	7 - 12				
123137-19830	7 - 25				
123138-03930	7 - 23				
123139-03930	7 - 24				
123140-16130	7 - 34				
123141-16131	7 - 35				
123142-17330	7 - 36				
123146-10631	7 - 20				
123149-26030	7 - 27				
123156-30830	7 - 10				
130110-14530	4 - 19				
130110-30830	4 - 13				
131050-19830	1 - 31				
131050-19830	4 - 35				
131051-19830	1 - 29				
131051-19830	4 - 33				
131205-19831	4 - 12				
131300-56430	4 - 42				
132013-09820	4 - 11				
132013-09820	5 - 25				
132115-01461	1 - 37				
132115-01461	4 - 14				
150114-04920	4 - 31				
175033-14731	5 - 14				
177214-02830	3 - 20				
177218-19830	3 - 14				



KIORITZ CORPORATION

7-2 SUEHIROCHO 1-CHOME, OHME, TOKYO 198-8711, JAPAN
PHONE: 81-428-32-6118. FAX: 81-428-32-6145.



200811 65-115