



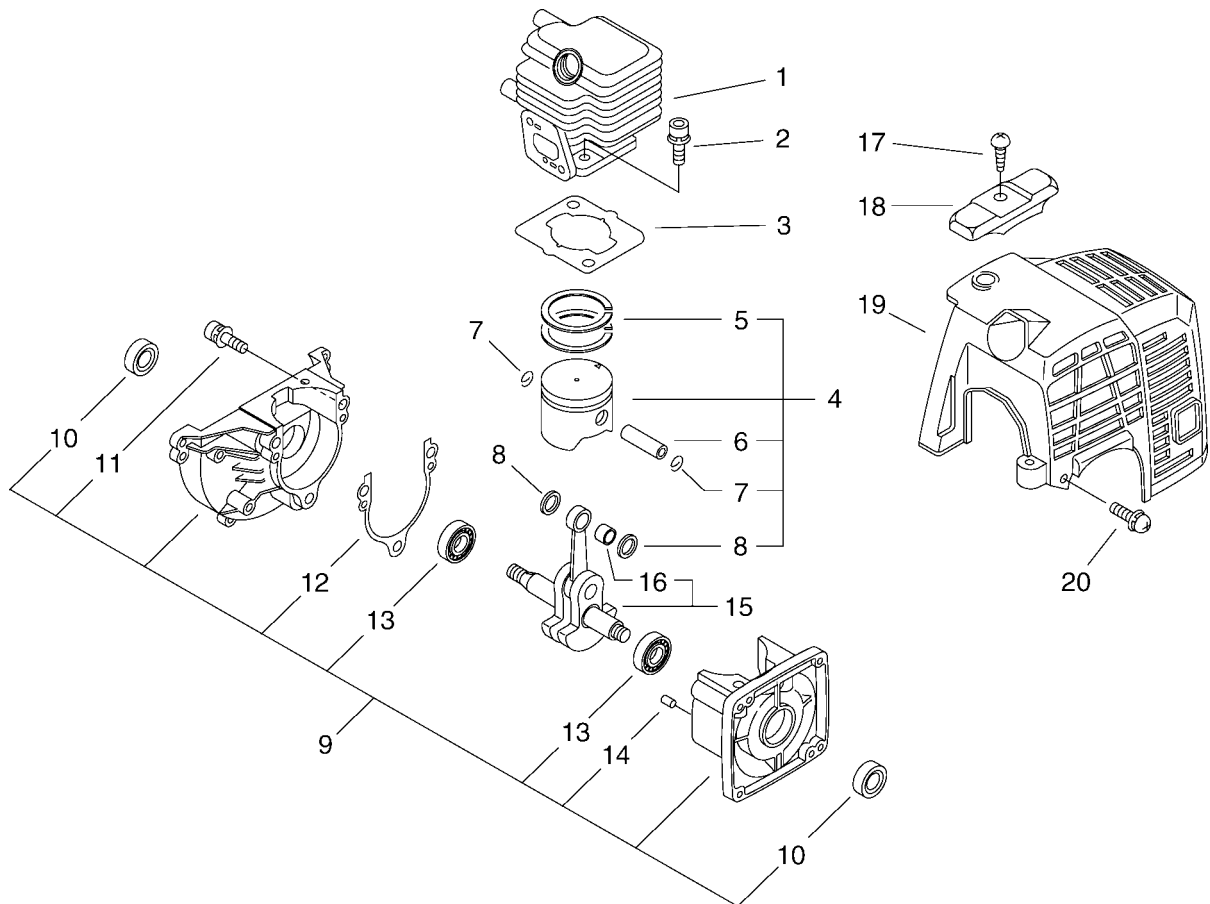
# **PARTS CATALOGUE**

## **TRIMMER/ BRUSHCUTTER**

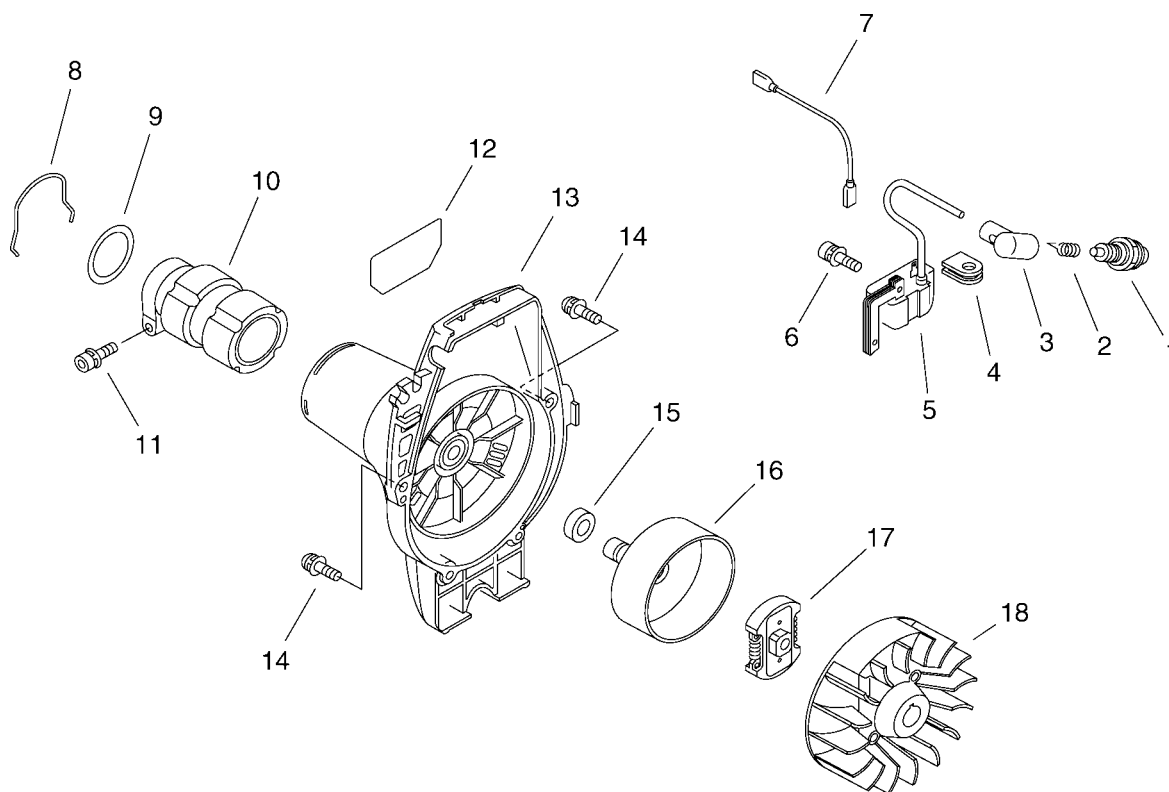
**SRM-22GES**

# SRM-22GES 1

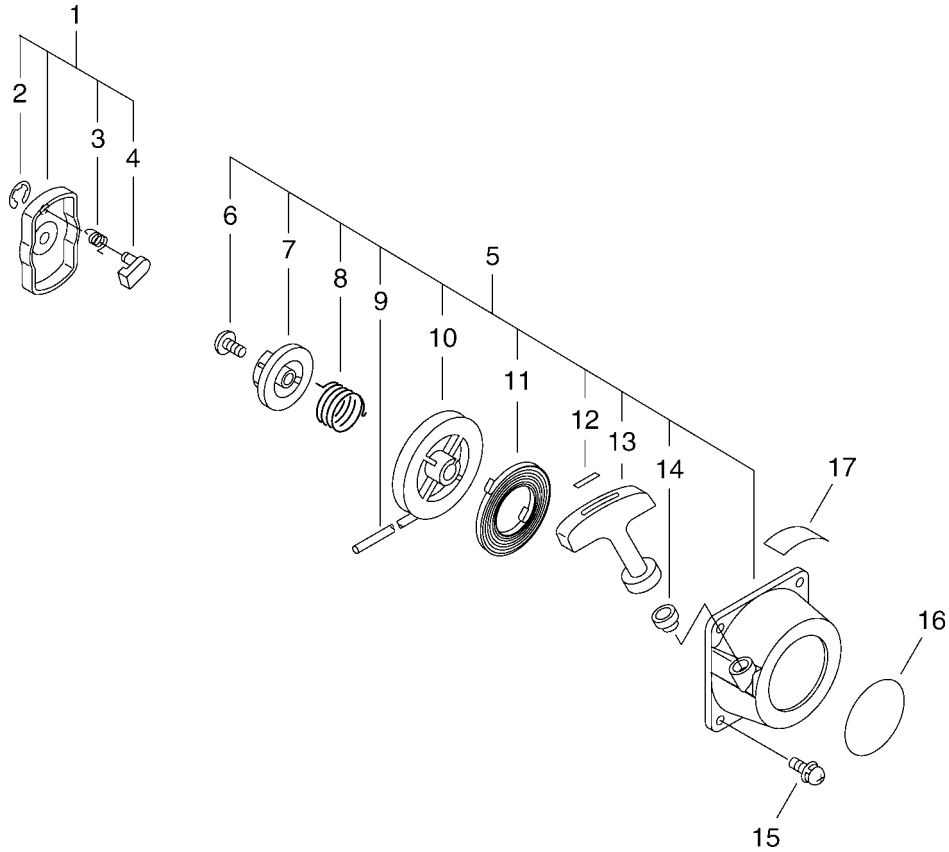
# Cylinder,Crankcase,Piston



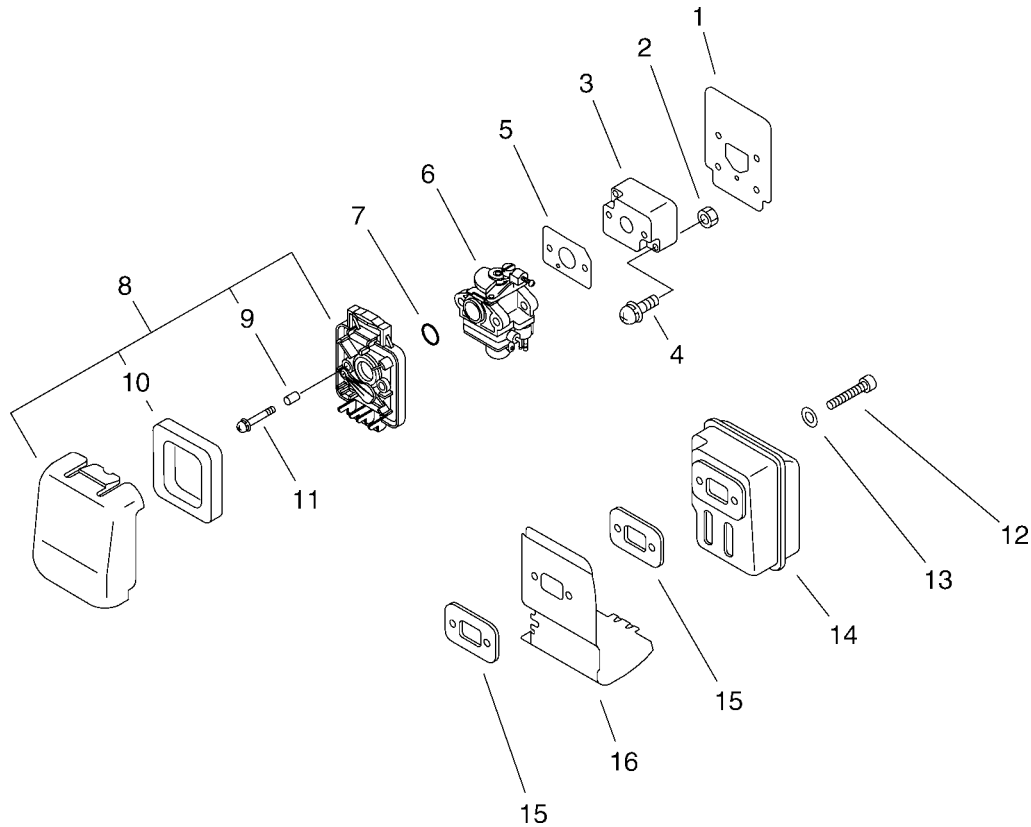
KEY	LV	PART NUMBER	Q'TY	DESCRIPTION	REMARKS
1		A130-000021	1	CYLINDER	
2		900162-05022	2	BOLT, H.S. 5*22	
3		101010-44332	1	GASKET, CYL. BASE	
4		P021-009950	1	PISTON KIT	
5	+	A101-000000	2	RING,PISTON	
6	+	100013-11520	1	PIN, PISTON	
7	+	100015-04630	2	CIRCLIP, PISTON PIN	
8	+	V306-000150	2	WASHER,CIRCULAR 8	
9		100204-52132	1	CRANKCASE KIT	
10	+	100212-42031	2	OILSEAL	
11	+	900162-05028	3	BOLT, H.S. 5*28	
12	+	100242-42030	1	GASKET, CRANKCASE	
13	+	94035-36201	2	BEARING BALL	
14	+	100215-03930	2	PIN, DOWEL	
15		A011-000002	1	CRANKSHAFT,ASM	
16	+	V553-000010	1	BEARING,NEEDLE 8	
17		900253-05020	1	SCREW 5*20	
18		A162-000060	1	GUARD, TOP	
19		A160-000630	1	COVER,CYLINDER	
20		900238-04016	2	SCREW 4*16	



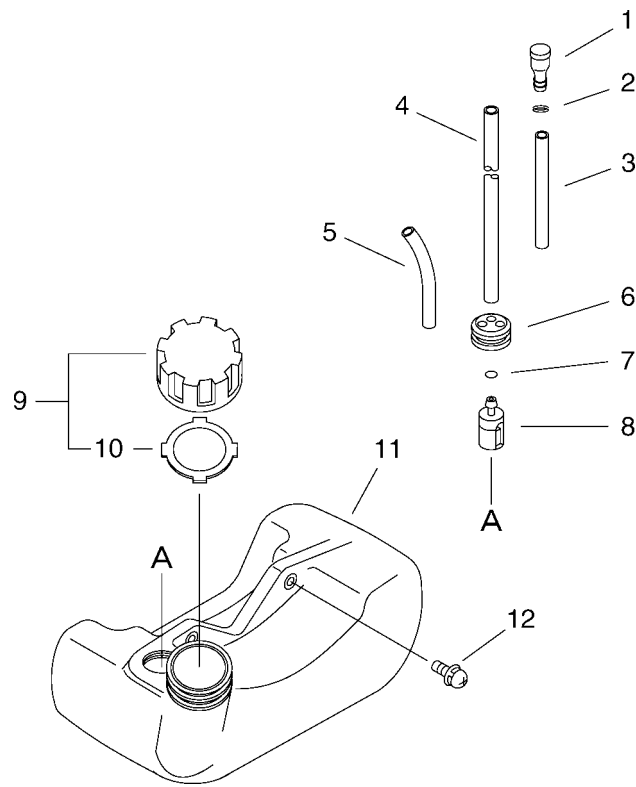
KEY	LV	PART NUMBER	Q'TY	DESCRIPTION	REMARKS
1		159010-10230	1	PLUG, SPARK (BPMR-7A	
2		159011-03432	1	COIL, SPARK PLUG	
3		159012-03433	1	CAP, SPARK PLUG	
4		156112-40630	1	GROMMET	
5		156601-52130	1	COIL, IGNITION	
6		900162-04022	2	BOLT, H.S. 4*22	
7		162010-52830	1	LEAD, GROUND	
8		660316-55630	1	CLIP	
9		V315-000030	1	WASHER, CIRCULAR 30	
10		610922-55931	1	HOLDER, MAIN PIPE	
11		91118-05028	1	BOLT	
12		X547-000570	1	LABEL, ECHO	
13		A172-000340	1	COVER, FAN	
14		91363-04016	4	SCREW	
15		175313-20430	1	RING, FELT	
16		175005-44331	1	DRUM, CLUTCH	
17		175000-56830	1	CLUTCH ASSY	
18		A409-000000	1	ROTOR, MAGNETO	



KEY	LV	PART NUMBER	Q'TY	DESCRIPTION	REMARKS
1		A052-000180	1	PULLEY,ASM STARTER	
2	+	P022-002100	2	E-RING	
3	+	P022-006510	2	SPRING, RETURN	
4	+	P022-006850	2	PAWL, STARTER	
5		A051-000740	1	STARTER,RECOIL	
6	+	177236-61830	1	SCREW	
7	+	P022-008280	1	PLATE, CAM	
8	+	P022-008270	1	SPRING,DAMPER	
9	+	P022-008260	1	ROPE	
10	+	P022-006830	1	DRUM	
11	+	177220-42030	1	SPRING, REWIND	
12	+	177246-11120	1	CLIP, STARTER ROPE	
13	+	177228-27030	1	GRIP, STARTER	
14	+	177227-42030	1	GUIDE, ROPE	
15		900238-04016	2	SCREW 4*16	
16		X502-000330	1	LABEL,ECHO	
17		X530-000210	1	LABEL,EYE CATCHER	



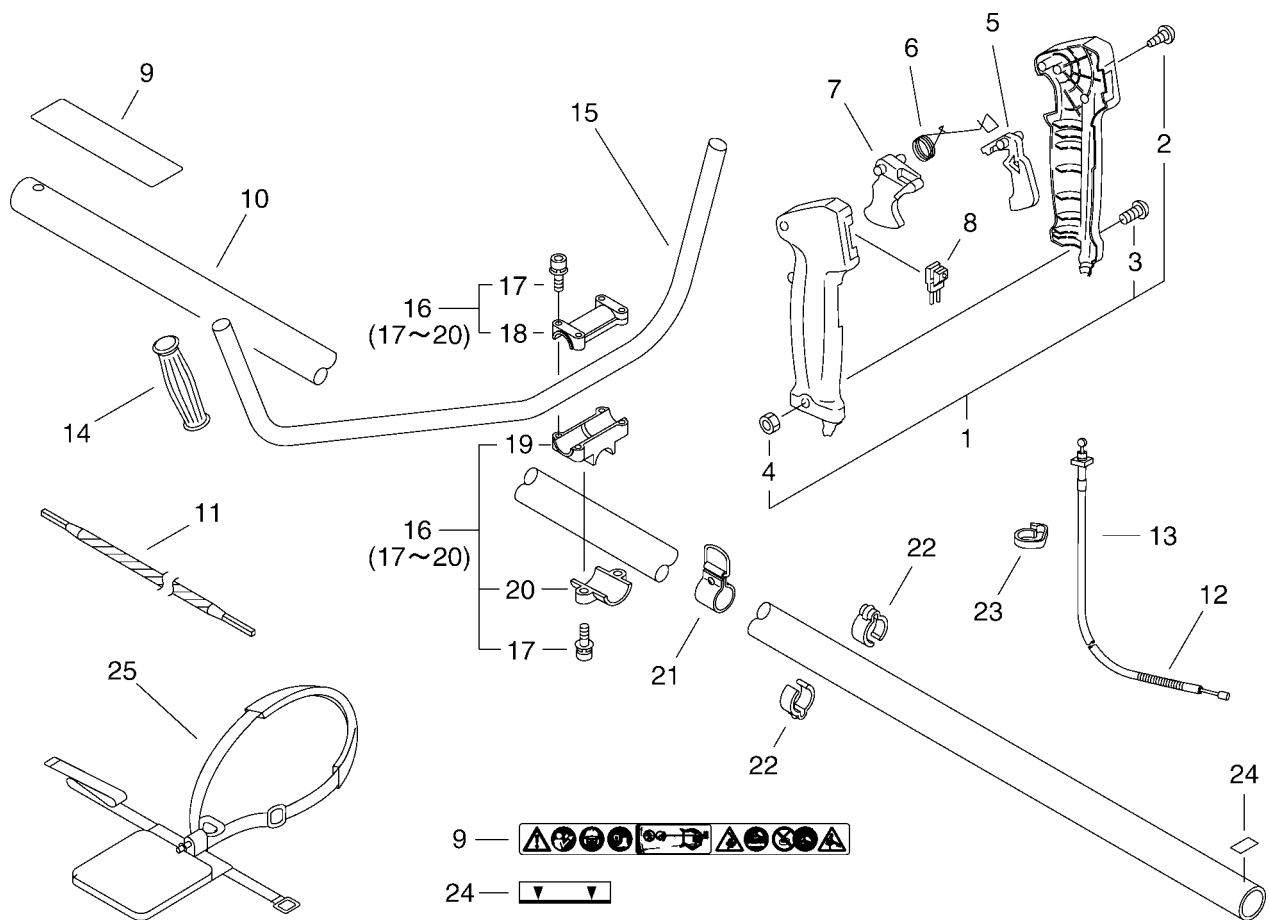
KEY	LV	PART NUMBER	Q'TY	DESCRIPTION	REMARKS
1		V103-000240	1	GASKET,INTAKE	
2		900500-00005	2	NUT 5	
3		130017-44330	1	INSULATOR	
4		900238-05020	2	SCREW 5*20	
5		V103-000250	1	GASKET,INTAKE	
6		A021-000550	1	CARBURETOR,DIAPHRAGM	
7		900720-00015	1	O-RING 15	
8		A027-000010	1	CLEANER,ASM AIR	
9	+	130327-44330	2	SLEEVE	
10	+	130310-44330	1	FILTER, AIR	
11		900242-05064	2	SCREW 5*64	
12		900105-05055	2	BOLT, H.S. 5*55	
13		900600-00005	2	WASHER 5	
14		A300-000350	1	MUFFLER,EXHAUST	
15		V104-000160	2	GASKET,EXHAUST	
16		A320-000251	1	COVER,MUFFLER	



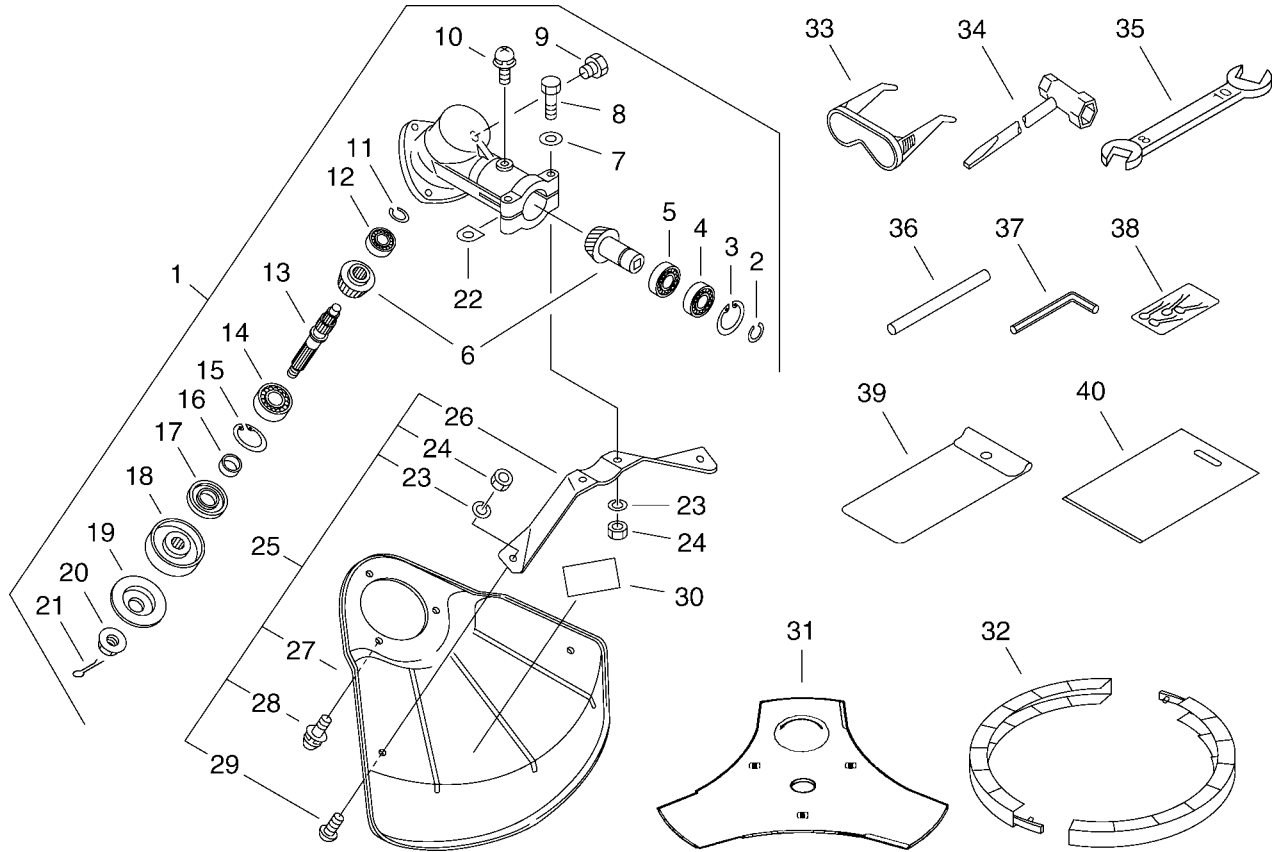
KEY	LV	PART NUMBER	Q'TY	DESCRIPTION	REMARKS
1		131300-56430	1	VALVE, CHECK	
2		130111-00530	1	CLIP	
3		V471-001200	1	PIPE	
4		V471-001190	1	PIPE	
5		132717-50430	1	PIPE 3* 6* 70	
6		132115-46730	1	GROMMET, FUEL	
7		132013-09820	1	CLIP	
8		131205-07320	1	STRAINER, FUEL	
9		131004-55830	1	CAP ASSY, FUEL TANK	
10	+	131016-55830	1	GASKET, FUEL CAP	
11		A350-000031	1	TANK, FUEL	
12		900243-05016	2	SCREW 5*16	

# SRM-22GES 6

## Handle

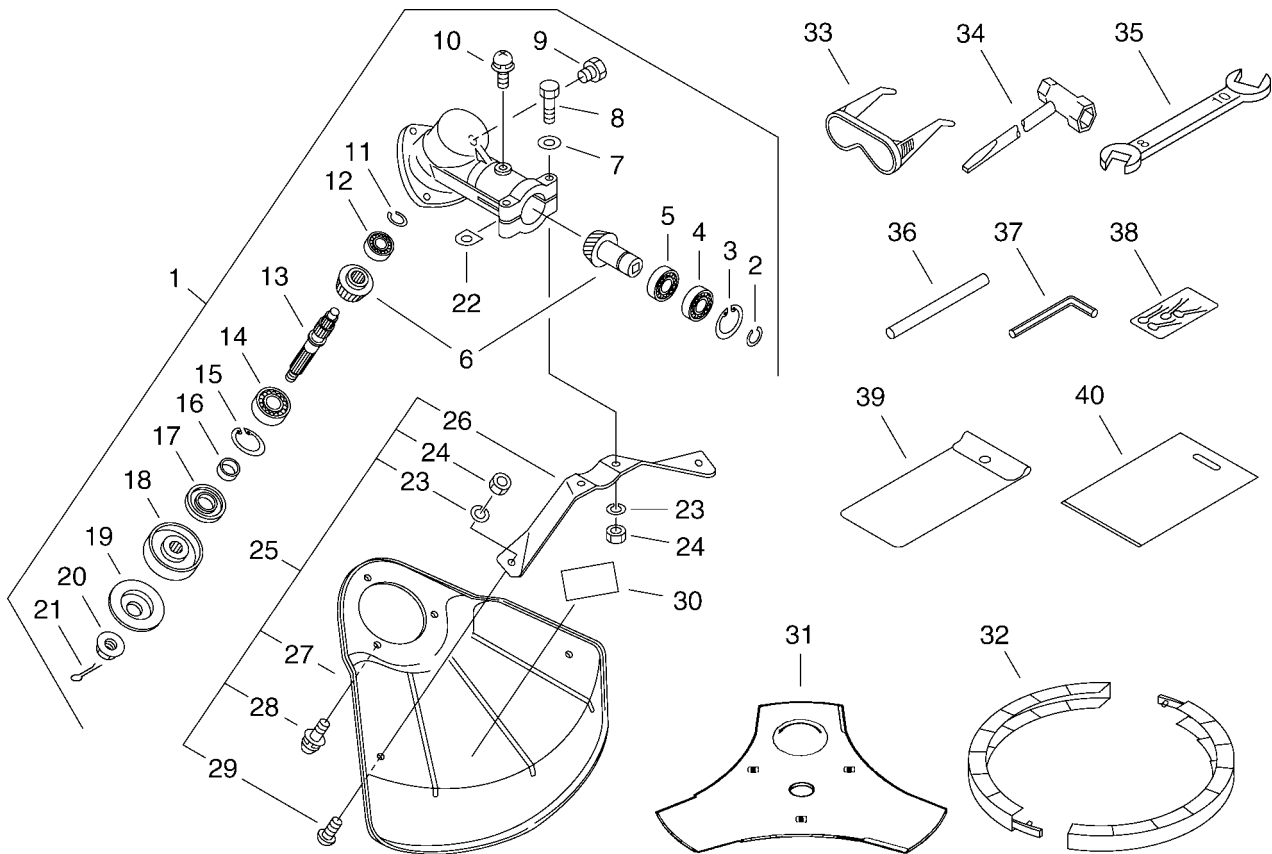


KEY	LV	PART NUMBER	Q'TY	DESCRIPTION	REMARKS
1		351102-47530	1	GRIP ASSY, F-HANDLE	
2	+	900246-03025	4	SCREW 3*25	
3	+	900220-05030	1	SCREW 5*30	
4	+	900500-00005	1	NUT 5	
5		178012-05960	1	LOCKOUT, THROTTLE	
6		178013-35631	1	SPRING, THR. LOCK	
7		178010-05960	1	CONTROL, THROTTLE	
8		A440-000880	1	SWITCH, ON OFF	
9		890617-43130	1	LABEL, CAUTION	
10		610206-44730	1	HOUSING ASSY, D.SHFT	
11		610013-44730	1	SHAFT, FLEXIBLE	
12		V475-001500	1	TUBE	
13		V430-001980	1	CABLE, BOWDEN	
14		351311-02330	1	GRIP, HANDLE	
15		C400-000211	1	HANDLE, FRONT	
16		351301-22333	1	BRACKET ASY, HANDLE	
17	+	91118-05025	6	BOLT	
18	+	351313-22332	1	BRACKET, HANDLE (U)	
19	+	351312-22331	1	BRACKET, HANDLE (C)	
20	+	351314-22332	1	BRACKET, HANDLE (L)	
21		301200-46830	1	HOOK, LIFTING	
22		224924-52130	2	CLIP	
23		159112-09961	1	CLIP	
24		890152-04930	1	LABEL, CAUTION	
25		301001-44731	1	HARNESS, SHOULDER	



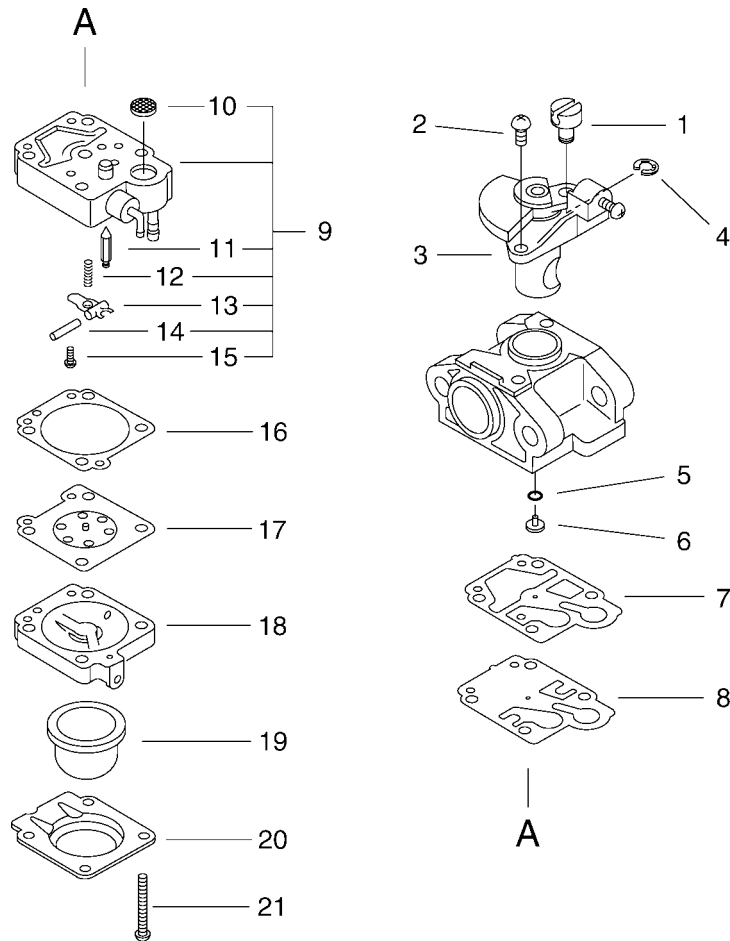
KEY	LV	PART NUMBER	Q'TY	DESCRIPTION	REMARKS
1		P021-013350	1	CASE,GEAR	
2	+	900706-00012	1	CIRCLIP 12	
3	+	900702-00022	1	CIRCLIP 22	
4	+	900858-06900	1	BEARING, BALL 6900Z	
5	+	900855-06900	1	BEARING, BALL 6900	
6	+	610300-44830	1	GEAR SET	
7	+	900600-00005	2	WASHER 5	
8	+	900100-05035	2	BOLT 5*35	
9	+	610434-50031	1	BOLT 8* 8	
10	+	900242-05010	1	SCREW 5*10	
11	+	900706-00010	1	CIRCLIP 10	
12	+	900800-00609	1	BEARING, BALL 609	
13	+	610360-08931	1	SHAFT, P.T.O.	
14	+	900810-06201	1	BEARING, BALL 6201	
15	+	900702-00032	1	CIRCLIP 32	
16	+	610315-07130	1	SPACER	
17	+	610413-07130	1	OILSEAL	
18	+	610313-07132	1	PLATE, ADAPTER (U)	
19	+	610314-04131	1	PLATE, ADAPTER (L)	
20	+	900511-00010	1	NUT 10 (L-H)	
21	+	900300-20022	1	PIN, SPLIT 2*22	
22	+	610239-04130	2	WASHER, SHIM	
23		900605-00005	2	WASHER, SPRING 5	
24		900500-00005	2	NUT 5	





KEY	LV	PART NUMBER	Q'TY	DESCRIPTION	REMARKS
25		699000-23432	1	SHIELD ASY	
26	+	699015-23431	1	BRACKET, SHIELD (BL)	
24	+	900500-00005	2	NUT 5	
23	+	900605-00005	2	WASHER, SPRING 5	
27	+	C550-000200	1	SHIELD,BLADE	
28	+	900242-05010	3	SCREW 5*10	
29	+	900220-05008	2	SCREW 5*8	
30		890186-23760	1	LABEL, CAUTION	
31		X405-000011	1	SAW,BUSH CUTTER	
32		P021-007470	1	SCABBARD,BLADE	
33		P021-002861	1	GOGGLES	
34		895410-02830	1	WRENCH, W/S. DRIVER	
35		895112-00330	1	SPANNER 8*10	
36		897518-01131	1	LOCKING TOOL	
37		895610-00130	1	L-WRENCH (4MM)	
38		898502-01130	1	PIN 2*22 (W/POUCH)	
39		898510-39130	1	BAG, TOOL	
40		X698-000040	1	TOOL,CASE	

# SRM-22GES 8 Carburettor



KEY	LV	PART NUMBER	Q'TY	DESCRIPTION	REMARKS
		A021-000550	1	CARBURETOR,DIAPHRAGM	
1	+	123172-45130	1	SWIVEL	
2	+	123114-44330	2	SCREW	
3	+	P003-000840	1	VALVE ASY THROTTLE	
4	+	123173-07930	1	CLIP	
5	+	123183-40630	1	O-RING	
6	+	123184-44330	1	JET #37	
7	+	123125-40630	1	GASKET, PUMP	
8	+	123112-40630	1	DIAPHRAGM, PUMP	
9	+	123179-05560	1	BODY ASSY, PUMP	
10	++	123126-10631	1	SCREEN, INLET	
11	++	123137-19830	1	VALVE, INLET NEEDLE	
12	++	123122-05560	1	SPRING, METER. LEVER	
13	++	123123-03930	1	LEVER, METERING	
14	++	123138-03930	1	PIN, METERING LEVER	
15	++	123139-05560	1	SCREW, M. LEVER PIN	
16	+	123140-05560	1	GASKET, M. DIAPHRAGM	
17	+	P003-000090	1	METERING, DIAPHRAGM	
18	+	123180-05560	1	BODY, AIR PURGE	
19	+	123181-40630	1	PUMP, PRIMER	
20	+	123142-05560	1	COVER, PRIMER PUMP	
21	+	123110-05560	4	SCREW, PUMP COVER	

**Index**

<b>Parts Number</b>	<b>Key No.</b>	<b>Parts Number</b>	<b>Key No.</b>	<b>Parts Number</b>	<b>Key No.</b>
A011-000002	1 - 15	100212-42031	1 - 10	178010-05960	6 - 7
A021-000550	4 - 6	100215-03930	1 - 14	178012-05960	6 - 5
A021-000550	8 -	100242-42030	1 - 12	178013-35631	6 - 6
A027-000010	4 - 8	101010-44332	1 - 3	224924-52130	6 - 22
A051-000740	3 - 5	123110-05560	8 - 21	301001-44731	6 - 25
A052-000180	3 - 1	123112-40630	8 - 8	301200-46830	6 - 21
A101-000000	1 - 5	123114-44330	8 - 2	351102-47530	6 - 1
A130-000021	1 - 1	123122-05560	8 - 12	351301-22333	6 - 16
A160-000630	1 - 19	123123-03930	8 - 13	351311-02330	6 - 14
A162-000060	1 - 18	123125-40630	8 - 7	351312-22331	6 - 19
A172-000340	2 - 13	123126-10631	8 - 10	351313-22332	6 - 18
A300-000350	4 - 14	123137-19830	8 - 11	351314-22332	6 - 20
A320-000251	4 - 16	123138-03930	8 - 14	610013-44730	6 - 11
A350-000031	5 - 11	123139-05560	8 - 15	610206-44730	6 - 10
A409-000000	2 - 18	123140-05560	8 - 16	610239-04130	7 - 22
A440-000880	6 - 8	123142-05560	8 - 20	610300-44830	7 - 6
C400-000211	6 - 15	123172-45130	8 - 1	610313-07132	7 - 18
C550-000200	7 - 27	123173-07930	8 - 4	610314-04131	7 - 19
P003-000090	8 - 17	123179-05560	8 - 9	610315-07130	7 - 16
P003-000840	8 - 3	123180-05560	8 - 18	610360-08931	7 - 13
P021-002861	7 - 33	123181-40630	8 - 19	610413-07130	7 - 17
P021-007470	7 - 32	123183-40630	8 - 5	610434-50031	7 - 9
P021-009950	1 - 4	123184-44330	8 - 6	610922-55931	2 - 10
P021-013350	7 - 1	130017-44330	4 - 3	660316-55630	2 - 8
P022-002100	3 - 2	130111-00530	5 - 2	699000-23432	7 - 25
P022-006510	3 - 3	130310-44330	4 - 10	699015-23431	7 - 26
P022-006830	3 - 10	130327-44330	4 - 9	890152-04930	6 - 24
P022-006850	3 - 4	131004-55830	5 - 9	890186-23760	7 - 30
P022-008260	3 - 9	131016-55830	5 - 10	890617-43130	6 - 9
P022-008270	3 - 8	131205-07320	5 - 8	895112-00330	7 - 35
P022-008280	3 - 7	131300-56430	5 - 1	895410-02830	7 - 34
V103-000240	4 - 1	132013-09820	5 - 7	895610-00130	7 - 37
V103-000250	4 - 5	132115-46730	5 - 6	897518-01131	7 - 36
V104-000160	4 - 15	132717-50430	5 - 5	898502-01130	7 - 38
V306-000150	1 - 8	156112-40630	2 - 4	898510-39130	7 - 39
V315-000030	2 - 9	156601-52130	2 - 5	900100-05035	7 - 8
V430-001980	6 - 13	159010-10230	2 - 1	900105-05055	4 - 12
V471-001190	5 - 4	159011-03432	2 - 2	900162-04022	2 - 6
V471-001200	5 - 3	159012-03433	2 - 3	900162-05022	1 - 2
V475-001500	6 - 12	159112-09961	6 - 23	900162-05028	1 - 11
V553-000010	1 - 16	162010-52830	2 - 7	900220-05008	7 - 29
X405-000011	7 - 31	175000-56830	2 - 17	900220-05030	6 - 3
X502-000330	3 - 16	175005-44331	2 - 16	900238-04016	1 - 20
X530-000210	3 - 17	175313-20430	2 - 15	900238-04016	3 - 15
X547-000570	2 - 12	177220-42030	3 - 11	900238-05020	4 - 4
X698-000040	7 - 40	177227-42030	3 - 14	900242-05010	7 - 10
100013-11520	1 - 6	177228-27030	3 - 13	900242-05010	7 - 28
100015-04630	1 - 7	177236-61830	3 - 6	900242-05064	4 - 11
100204-52132	1 - 9	177246-11120	3 - 12	900243-05016	5 - 12

**Index**

<b>Parts Number</b>	<b>Key No.</b>	<b>Parts Number</b>	<b>Key No.</b>	<b>Parts Number</b>	<b>Key No.</b>
900246-03025	6 - 2				
900253-05020	1 - 17				
900300-20022	7 - 21				
900500-00005	4 - 2				
900500-00005	6 - 4				
900500-00005	7 - 24				
900511-00010	7 - 20				
900600-00005	4 - 13				
900600-00005	7 - 7				
900605-00005	7 - 23				
900702-00022	7 - 3				
900702-00032	7 - 15				
900706-00010	7 - 11				
900706-00012	7 - 2				
900720-00015	4 - 7				
900800-00609	7 - 12				
900810-06201	7 - 14				
900855-06900	7 - 5				
900858-06900	7 - 4				
91118-05025	6 - 17				
91118-05028	2 - 11				
91363-04016	2 - 14				
94035-36201	1 - 13				



# KIORITZ CORPORATION

7-2 SUEHIROCHO 1-CHOME, OHME, TOKYO 198-8711, JAPAN  
PHONE: 81-428-32-6118. FAX: 81-428-32-6145.

**ECHO**<sup>®</sup>

200703 No.64-018(640452)